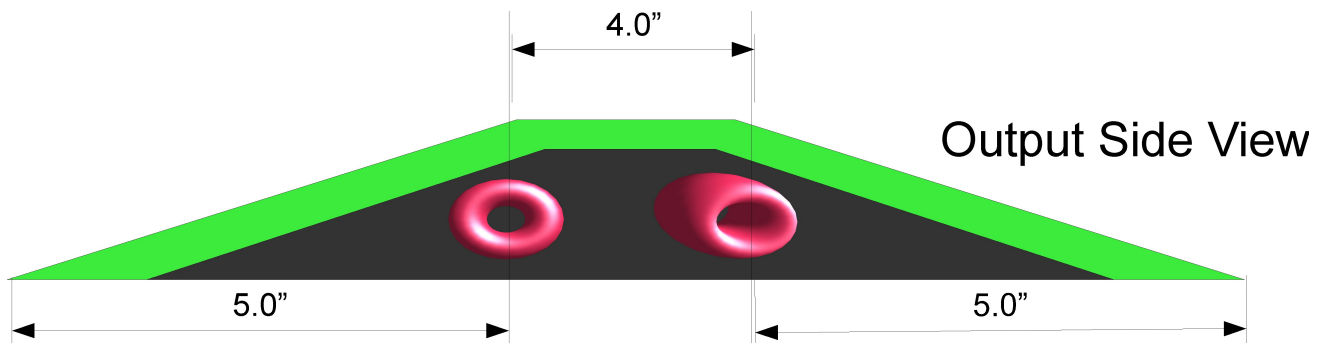
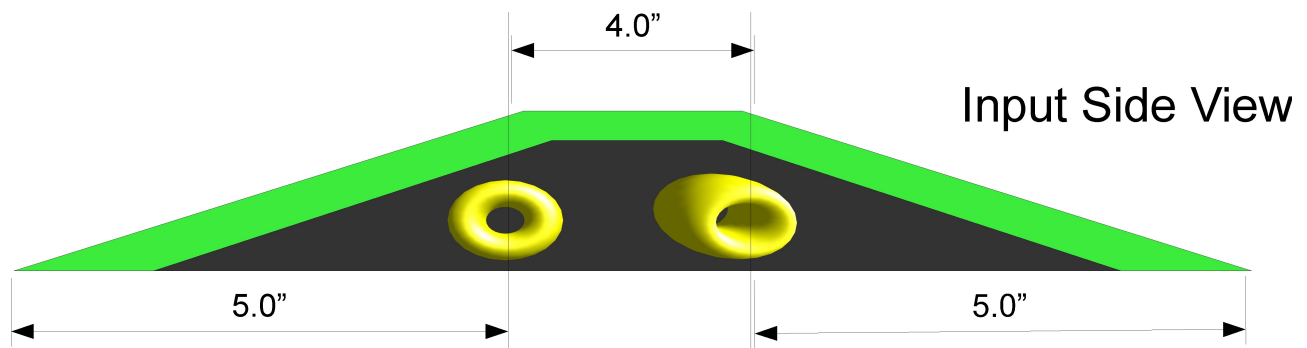
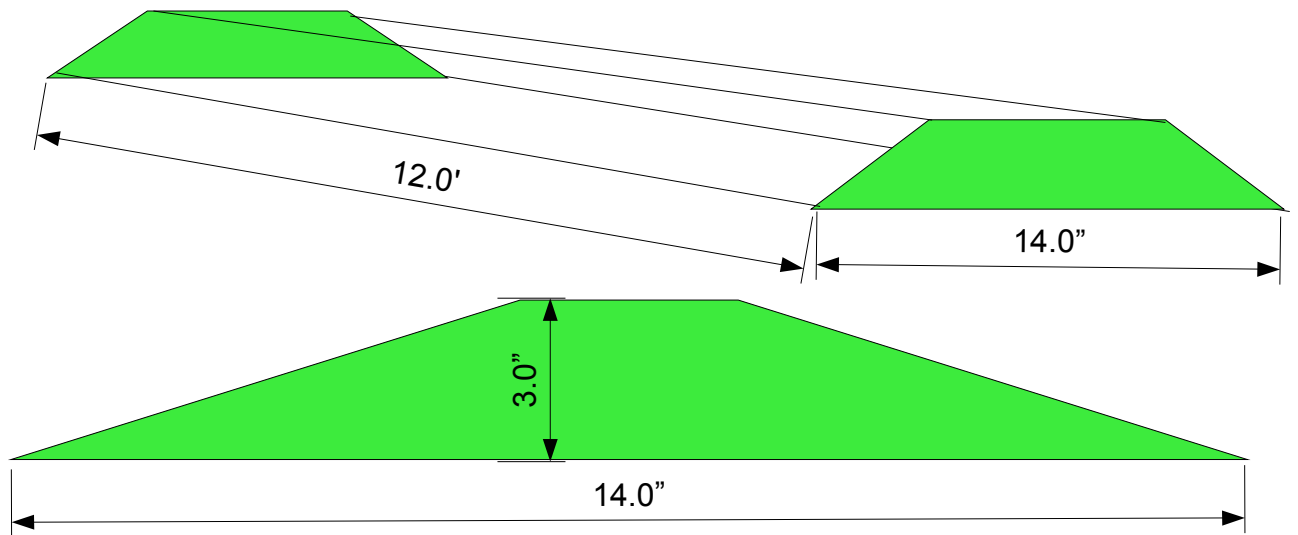


GSE: R-SH series technical specifications



14" x 3" x 12' : Overall dimensions

140 bs